



General data

Illuminable pushbuttons and signal lamps with lamp socket for a mounting hole diameter of 8.1 mm; 42 V, 250 mA max. Please order lamps/LEDs separately.

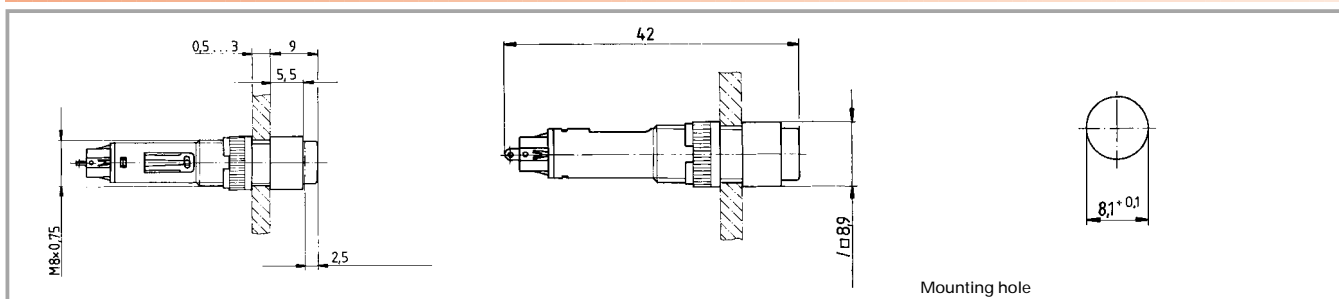
Content

8 mm Series, illuminated pushbutton, 42 V/250 mA	1 - 4
8 mm Series, illuminated pushbutton, round collar, 42 V/250 mA	1 - 5
8 mm Series, illuminated pushbutton, square collar, 42 V/250 mA	1 - 5
8 mm Series, signal lamp	1 - 6
8 mm Series, signal lamp, round collar	1 - 7
8 mm Series, signal lamp, square collar	1 - 7

1

8 mm

8 mm Series, illuminated pushbutton, 42 V/250 mA



Technical data

General information

Form of lens protruding lens
 Colour of lens see order block
 Form of collar see order block

Dimensions

Length of collar see order block
 Diameter of collar see order block
 Width of collar see order block
 Overall height 9 mm
 Mounting depth 31 mm
 Mounting hole 8.1 mm

Mechanical design

Mounting ring nut
 Terminals solder terminals, tin-plated
 Contact system 2 plate springs
 Contact function see order block
 Contact arrangement 1 NO
 Contact materials Au
 Illuminability yes
 Lamp socket Bi-Pin T 1

Mechanical characteristics

Operating force max. 2.6 N
 Operating travel 2.7 mm
 Switching travel NO 1 mm
 Robustness 100 N

Electrical characteristics

Rated voltage AC/DC max. 42 V
 Rated voltage AC/DC min. 0.02 V
 Rated current AC/DC max. 250 mA
 Rated current AC/DC min. 0.01 mA
 Contact resistance max. 100 mΩ
 Bouncing time max. 10 ms

Other specifications

Operating life (operations) 1000000 (momentary), 100000 (latching)
 Degree of protection from front side IP40
 Ambient temp. operating min. -25 °C
 Ambient temp. operating max. without lamp /LED +70 °C
 Ambient temp. operating max. with lamp /LED +55 °C
 Storage temperature min. -40 °C
 Storage temperature max. +80 °C
 Resistance to constant environment according to IEC 600 68-2-3 and 2-30
 Resistance at variable environment according to IEC 600 68-2-14 and 2-33
 Weight 2 g
 Soldering time max. 3 sec.
 Soldering temperature max. 350 °C


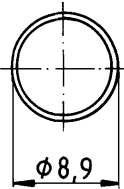
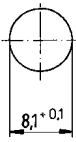
Accessories 8 mm Series, illuminated pushbutton, 42 V/250 mA

Description	Photo	Order no.	Page
Filament lamp, Bi-Pin T 1 base, 24 - 28 V		1.90.180.473/0000	5 - 5
LED Bi-Pin T 1, red, 3 V		1.90.691.026/0000	5 - 17
LED Bi-Pin T 1, green, 3 V		1.90.691.027/0000	5 - 17

Accessories 8 mm Series, illuminated pushbutton, 42 V/250 mA

Description	Photo	Order no.	Page
LED Bi-Pin T 1, yellow, 3 V		1.90.691.028/0000	5 - 17
Fixing spanner M 8		5.58.002.027/7705	5 - 25

8 mm Series, illuminated pushbutton, round collar, 42 V/250 mA

				
Pict.: with colourless lens	$\phi 8,9$	Mounting hole $8,1^{+0,1}$		
Contact arrangement	Contact function	Lamp socket	Order no. without lens	Note
1 NO	momentary	Bi-Pin T 1	1.15.116.001/0000	Please include the desired lens in your order.
1 NO	latching	Bi-Pin T 1	1.15.116.011/0000	Please include the desired lens in your order.

Technical data see page 1 - 4


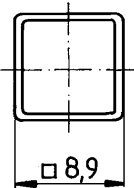
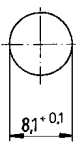
Lens, transparent colourless: 5.05.510.470/1002

Lens, transparent red: 5.05.510.470/1303

Lens, transparent yellow: 5.05.510.470/1402

Lens, transparent green: 5.05.510.470/1502

8 mm Series, illuminated pushbutton, square collar, 42 V/250 mA

				
Pict.: with green lens	$\square 8,9$	Mounting hole $8,1^{+0,1}$		
Contact arrangement	Contact function	Lamp socket	Order no. without lens	Note
1 NO	momentary	Bi-Pin T 1	1.15.116.021/0000	Please include the desired lens in your order.
1 NO	latching	Bi-Pin T 1	1.15.116.031/0000	Please include the desired lens in your order.

Technical data see page 1 - 4

Lens, transparent colourless: 5.05.510.471/1002

Lens, transparent red: 5.05.510.471/1303

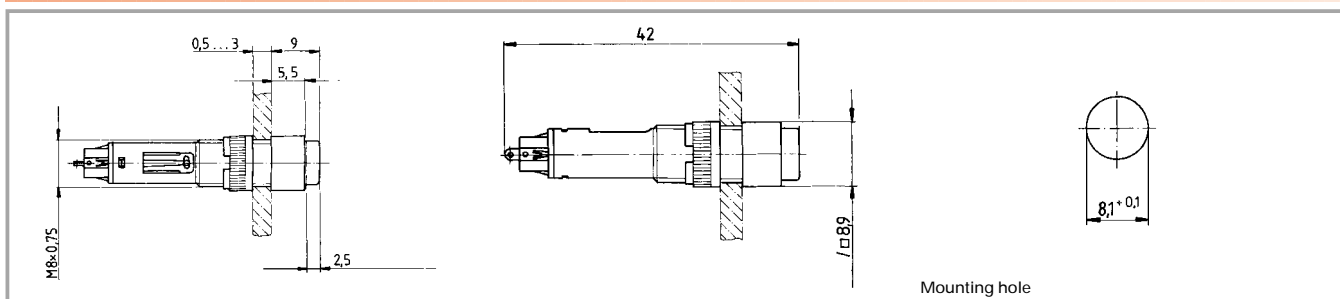
Lens, transparent yellow: 5.05.510.471/1402

Lens, transparent green: 5.05.510.471/1502

1

8 mm

8 mm Series, signal lamp



Technical data

General information

Form of lens protruding lens
 Colour of lens see order block
 Form of collar see order block

Dimensions

Length of collar 8.9 mm
 Width of collar 8.9 mm
 Diameter of collar see order block
 Overall height 9 mm
 Mounting depth 31 mm
 Mounting hole 8.1 mm

Mechanical design

Mounting ring nut
 Terminals solder terminals, tin-plated
 Lamp socket Bi-Pin T 1
 Lamp filament lamp / LED

Electrical characteristics

Voltage limit max. 24 V
 Power limit max. 0.4 W

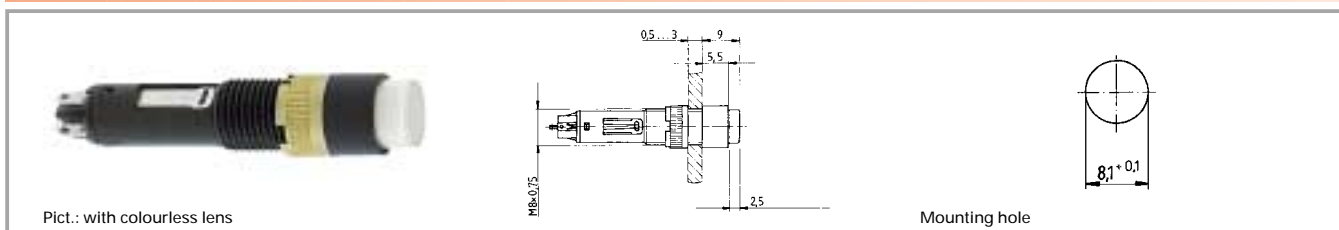
Other specifications

Degree of protection from front side IP40
 Weight 2
 Ambient temp. operating min. -25 °C
 Ambient temp. operating max. +55 °C
 Storage temperature min. -40 °C
 Storage temperature max. +80 °C
 Resistance to constant environment according to IEC 600 68-2-3 and 2-30
 Resistance at variable environment according to IEC 600 68-2-14 and 2-33
 Soldering time max. 3 sec.
 Soldering temperature max. 350 °C

Accessories 8 mm Series, signal lamp

Description	Photo	Order no.	Page
Filament lamp, Bi-Pin T 1 base, 24 - 28 V		1.90.180.473/0000	5 - 5
LED Bi-Pin T 1, red, 3 V		1.90.691.026/0000	5 - 17
LED Bi-Pin T 1, green, 3 V		1.90.691.027/0000	5 - 17
LED Bi-Pin T 1, yellow, 3 V		1.90.691.028/0000	5 - 17
Fixing spanner M 8		5.58.002.027/7705	5 - 25

8 mm Series, signal lamp, round collar

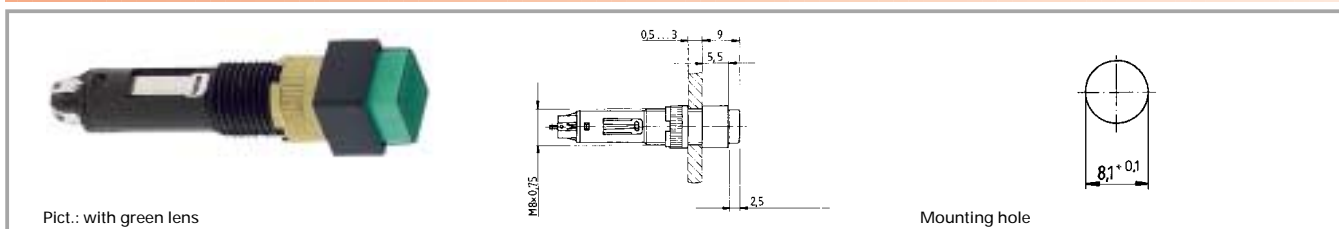


Voltage limit max.	Power limit max.	Lamp socket	Colour of lens	Order no. without lens	Note
24 V	0,4 W	Bi-Pin T 1		1.65.120.001/0000	Please include the desired lens in your order.

Technical data see page 1 - 6

- Lens, transparent colourless: 5.05.510.359/1002
- Lens, transparent red: 5.05.510.359/1303
- Lens, transparent yellow: 5.05.510.359/1402
- Lens, transparent green: 5.05.510.359/1502

8 mm Series, signal lamp, square collar



Voltage limit max.	Power limit max.	Lamp socket	Colour of lens	Order no. without lens	Note
24 V	0,4 W	Bi-Pin T 1		1.65.120.011/0000	Please include the desired lens in your order.

Technical data see page 1 - 6

- Lens, transparent colourless: 5.05.510.360/1002
- Lens, transparent red: 5.05.510.360/1303
- Lens, transparent yellow: 5.05.510.360/1402
- Lens, transparent green: 5.05.510.360/1502